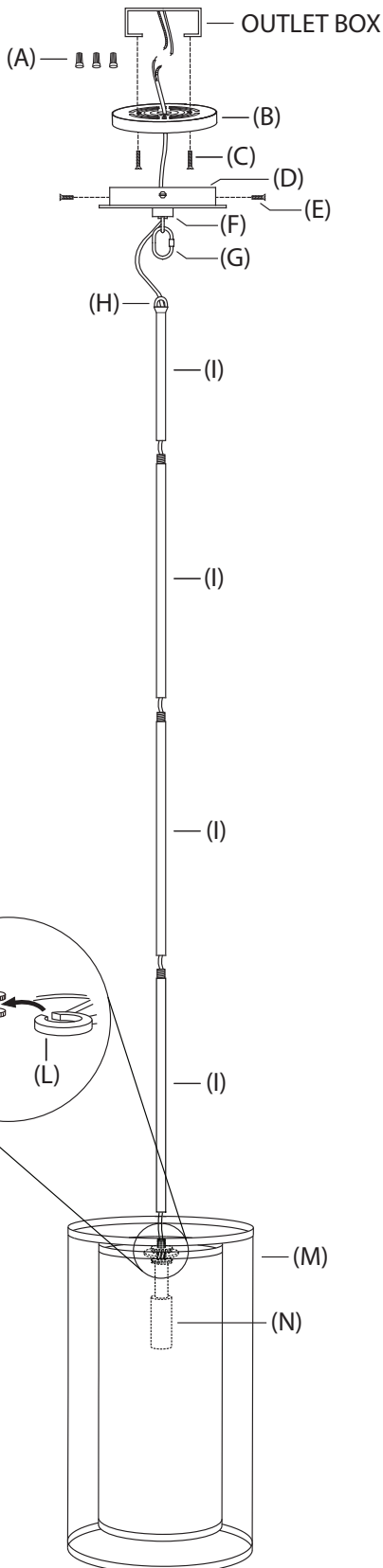


# ASSEMBLY INSTRUCTIONS FOR YOUR SATURNIA NARROW PENDANT



## IMPORTANT SAFETY INSTRUCTIONS:

- \* These instructions are provided for your safety. It is very important that they are read completely before beginning the installation of your fixture.
- \* **WE STRONGLY RECOMMEND INSTALLATION BY A LICENSED ELECTRICIAN.**
- \* Turn off power at switch before replacing bulbs, making sure fixture has had sufficient time to cool down.
- \* **DO NOT** subject the fixture to any shock while lit as shattering of bulbs may result.

## ASSEMBLY INSTRUCTIONS:

1. SHUT OFF THE MAIN ELECTRICAL SUPPLY AT FUSE BOX/ CIRCUIT BREAKER.
2. Remove all parts from carton. Do not throw away any parts.
3. Remove mounting plate (B) from canopy (D) by removing canopy screws (E). Set canopy screws (E) aside.
4. Affix mounting plate (B) to ceiling outlet box with mounting screws (C) provided.
5. Measure desired drop for fixture to hang and add/remove extension tubes (I) as needed. Guide wiring through extension tubes before threading tubes together.  
\*\*TO ADD/REMOVE EXTENSIONS: (Un)Thread the threaded nipple of one extension into/ out of the threaded opening of the next extension. Make sure electrical cord is pulled tight when threading extensions together to prevent damage to the wiring.\*\*
6. Connect hang straight (F) and loop (H) using quick link (G).
7. Thread bottom extension tube (I) onto the threaded nipple above shade washer (J).
8. Guide wiring from top extension (I) through loop (H), quick link (G) and hang straight (F), exiting canopy (D). Lift canopy (D) to ceiling outlet box.
9. Make proper electrical connections described in steps 10 - 12. A LICENSED ELECTRICIAN IS RECOMMENDED.
10. Attach ground wire from fixture (green or silver in color) to ground wire from outlet box. Fasten wires together with wire nut (A) and tightly wrap connection with electrical tape.
11. Attach hot wire from fixture (black in color or smooth side of wire) to hot wire from outlet box. Fasten wires together with wire nut (A) and tightly wrap connection with electrical tape.
12. Attach neutral wire from fixture (white in color or ribbed side of wire) to neutral wire from outlet box. Fasten wires together with wire nut (A) and tightly wrap connection with electrical tape.
13. Carefully push wire connections back into ceiling outlet box.
14. Place canopy (D) over mounting plate (B). Thread canopy screws (E) into holes in canopy (D), and mounting plate (B) to secure fixture to ceiling.
15. Lift shade (M) over bottom section of fixture. Slide split washer (L) between shade washer (J) and shade washer (K). Turn shade washer (J) clockwise until it rests firmly against split washer (L) to secure shade to fixture.
16. Install one (1) 60W MAX B10, candelabra base bulb into socket (N).
17. Reconnect main electrical supply from the fuse box/ circuit breaker and test the fixture.

\*\*\*To clean, use soft cloth only. Do not use any chemical or abrasive cleaners.\*\*\*