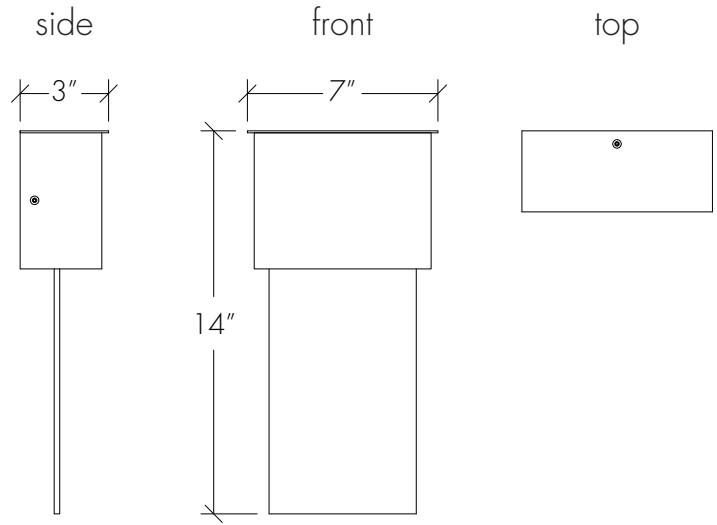


# ULTRALIGHTS



## EO 20448

Complies with Americans with Disabilities Act

### Base Specifications:

14"h x 7"w x 3"d

04: LED - 8.4W (Dim w/ 0-10V dim system)

Lumenice Acrylic Diffuser

ADA

### Notes:

04 / 14 Lamping: Wattage and Lumens - Initial at the source

<b>20448</b>	-	-	-	-
<b>MODEL</b>		<b>FINISH</b>	<b>DIFFUSER</b>	<b>LAMPING</b>

**Modifications:**

- BA - Bronze Age
- BK - Black
- BP - Black Pearl
- CB - Cast Bronze
- CH - Chestnut
- CR - Chrome
- DI - Dark Iron
- EB - Empire Bronze
- MB - Medieval Bronze
- NB - New Brass
- SB - Smokey Brass
- SP - Satin Pewter
- SS - Smoked Silver

LI - Lumenice

- 04: Dry / Damp LED - 8.4W - 1181 Lumens (Non-Dim or Dim w/ 0-10V Dim system) - Universal
- 14: Dry / Damp LED - 8.4W - 1181 Lumens (Dim w/ Std Phase Dim) - 120V

### COLOR TEMPERATURE / CRI

- 3000K (Standard) - CRI available upon request
- 2700K - CRI available upon request
- 3500K - CRI available upon request
- 4000K - CRI available upon request

Project Name:  
Project Location:

Specifier Name:  
Specifier Location:

Quantity:  
Fixture Type:

[WWW.ULTRALIGHTSLIGHTING.COM](http://WWW.ULTRALIGHTSLIGHTING.COM)