

PROJECT: TYPE:

LOCATION: CAT:



Description

Trulux tunable dial control for tunable CCT light control; single zone operation.

Features

- Push dial for On/Off or current color temperature control - rotate for full range dimming (1-100%)
- Double push dial for color temperature selection (2700K-6000K with Trulux HTL-TW tape light)
- Available in wall mount or table top styles
- Smooth glass faceplate with brushed satin dial
- Radio frequency (RF) signal range up to 65 feet
- Battery operated (CR2032 battery included)
- Control multiple receivers in a single zone
- Requires Trulux RF receiver for operation (sold separately)

Mounting

Wall Mount: Flush mount to wall or flat surface (1-3/4" x 2-5/8" cut-out)
Table Top: Includes table top stand

Applications

Dimming, CCT, and zone control for tunable CCT

Warranty

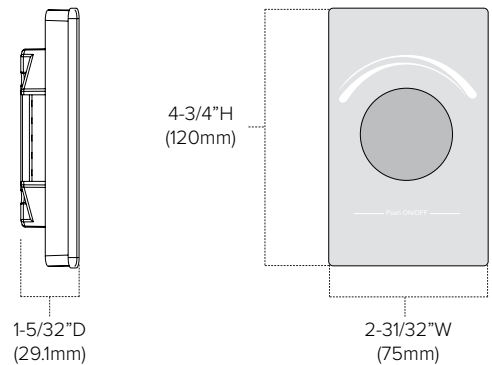
3 years

Technical Information



Voltage	3V DC Operation voltage (battery operated 10mA power consumption)
Battery Type	CR2032 (Included)
Frequency	916.5MHz RF wireless
Operating Temperature	0° - 40°C
Relative Humidity	8% - 80%
Rating	FCC Compliant, RoHS Compliant, dry location

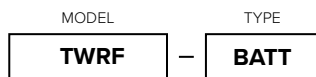
Dimensions



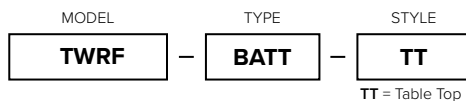
Required Receivers

Part Number	Description	Application	Input	Current	Output	Listing	Dimensions
REC-5A-4Z	Trulux RF Constant Voltage Receiver	Dry location	12-36V DC	4x5A	4x(60-180)W	RoHS	7-1/16" x 1-13/16" x 6-23/32" (178.9mm x 45.5mm x 18.6mm)

Trulux Tunable Dial Wall Control



Trulux Dial Table Top Control



TWRF-BATT includes:

(1) Trulux Tunable Dial Wall Control (requires Trulux receiver)

TWRF-BATT-TT includes:

(1) Trulux Tunable Dial Table Top Control (requires Trulux receiver)

Example Part # **TWRF-BATT-TT**

