

access

L I G H T I N G

INSTALLATION INSTRUCTIONS

IMPORTANT

Before assembling your access lighting fixture, please make sure that you carefully read through these instruction sheets. Consider having your fixture installed by a qualified licensed electrician.

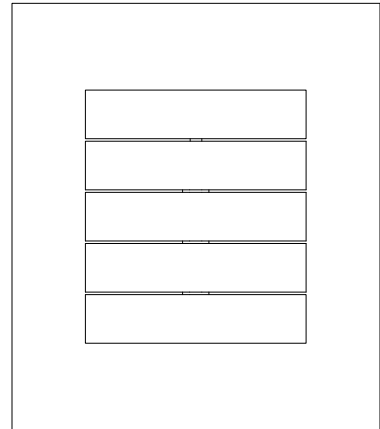
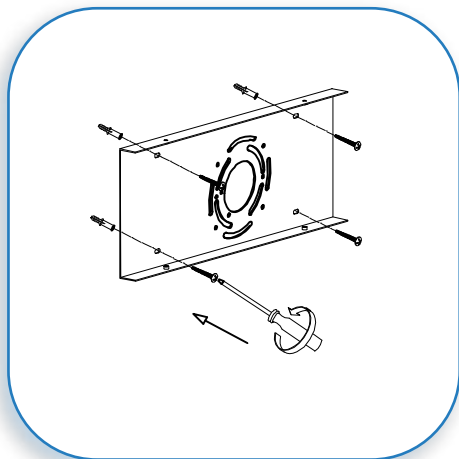
NOTE: The important safeguards and instructions that appear in this manual are not meant to cover all possible conditions and situations that may occur. It must be understood that common sense, caution and care, are factors that can't be built into any product. These factors must be supplied by the person(s) caring for and operating the fixture.

GENERAL INFORMATION

All electrical connections must be in accordance with all ordinances, Local and National Electrical Codes. These fixtures are intended for mounting to a standard 4" x 2 1/2" metal octagon outlet box. The box must be directly supported by the building structure and U.L. Recognized.

STEP BY STEP INSTRUCTIONS

Before starting your installation disconnect the Power by turning off the Circuit Breaker or by removing the fuse at the fuse box. Just turning the light off at the light switch is not sufficient to prevent electrical shock.



COLLECTION
Origami

APPLICATION
Wall Fixture

MODEL NO.
55540

WHAT WE PROVIDE

- Mounting Hardware
- Crossbar Plate
- 3 x 16W JC Bulbs (G4 base)

For energy saving, this fixture is supplied with 16W G4/ER bulbs, which is equivalent to 20W standard G4 Halogen.

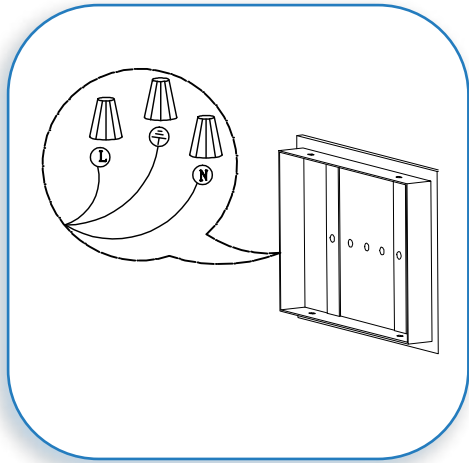
WHAT YOU NEED

- Screwdriver
- Wire Cutters
- Wiring Supplies as Specified by Electrical Code

MARK BACKPLATE LOCATION

1

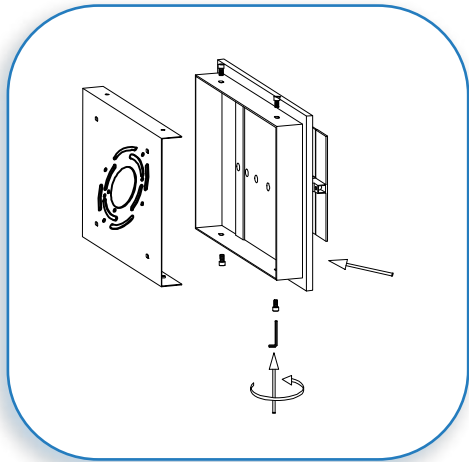
Determine the desired location of your fixture. Hold the back plate up to the surface and mark with a pencil the location of the mounting plugs (small hole on the left and right hand side of the back plate). Drill a hole and insert the mounting plugs into the mounting surface. Hold the back plate up to the wall. Insert the supplied screws so that the back plate is mounted to the J-Box. Align the holes in the back plate with the mounting plugs, secure the back plate further by inserting the supplied mounting plug screws (highly recommended).



2

MAKE WIRE CONNECTIONS

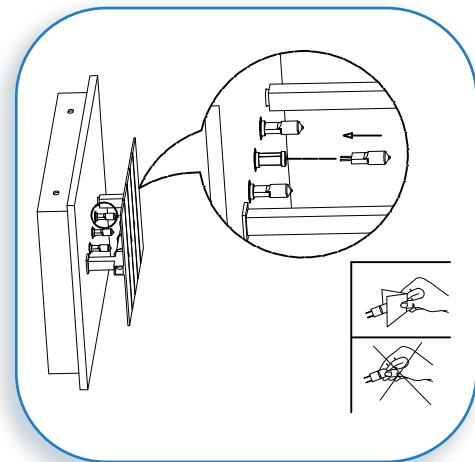
Gently pull the supply wires out of the j-box .
 Connect the black supply wire to the black fixture wire. Secure with the supplied wire nuts. Connect the white supply wires to the white fixture wire. Secure with the supplied wire nuts. Either wrap the green wire around one of the protruding screws or connect it to the supply ground wire. Secure all wire with electrical tape (not supplied).
 Tuck all wires carefully into the J-Box.



3

SECURE THE FRONT PLATE

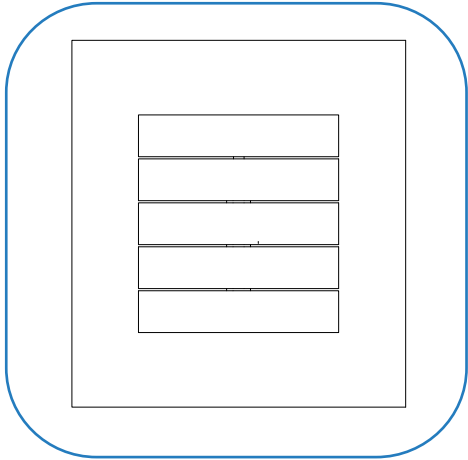
Align the holes at the top and bottom of the front plate to the top and bottom hole of the back plate. Using the supplied screws secure the front plate to the back plate.



4

INSERT THE BULBS

Insert the supplied bulbs
 MAXIUM WATTAGE 16W
 DO NOT EXCEED THE RECOMMENDED WATTAGE AS STATED ON THE LABEL AND INSTRUCTION SHEET.



5

**RESTORE THE ELECTRICITY AND
CHECK THE OPERATION OF YOUR
NEW ACCESS FIXTURE**

CAUTION Please ensure that the fitting is cool and switched off before replacing the bulb. DO NOT use bulbs that might exceed the maximum wattage, stated on caution label.