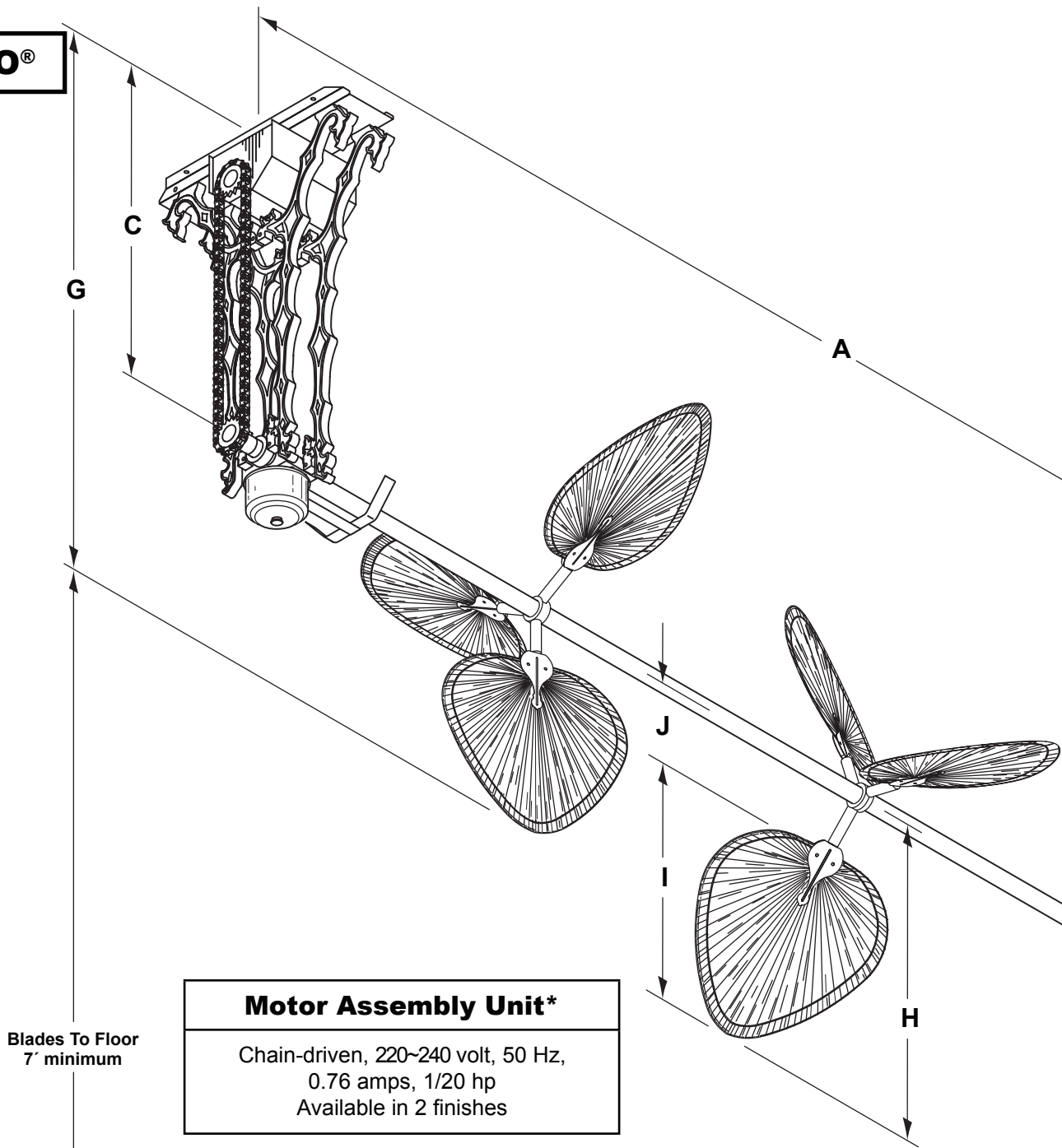


PALMETTO®



Blades To Floor
7' minimum

Motor Assembly Unit*
Chain-driven, 220~240 volt, 50 Hz,
0.76 amps, 1/20 hp
Available in 2 finishes

**NOTE: Not recommended for sound-sensitive areas*

Ordering Information (items sold separately)		
Item	Catalog No.	Description
Fan Assembly	FP601**-.220	One section
	FP602**-.220	Two sections
	FP603**-.220	Three sections
	FP604**-.220	Four sections
	FP605**-.220	Five sections
Blade Sets (Includes Blade Holder, Stem and Hub)		Up to 3 blade sets can be used per section. <i>See Catalog or visit www.fanimation.com for more blade information</i>

** Insert Finish Codes

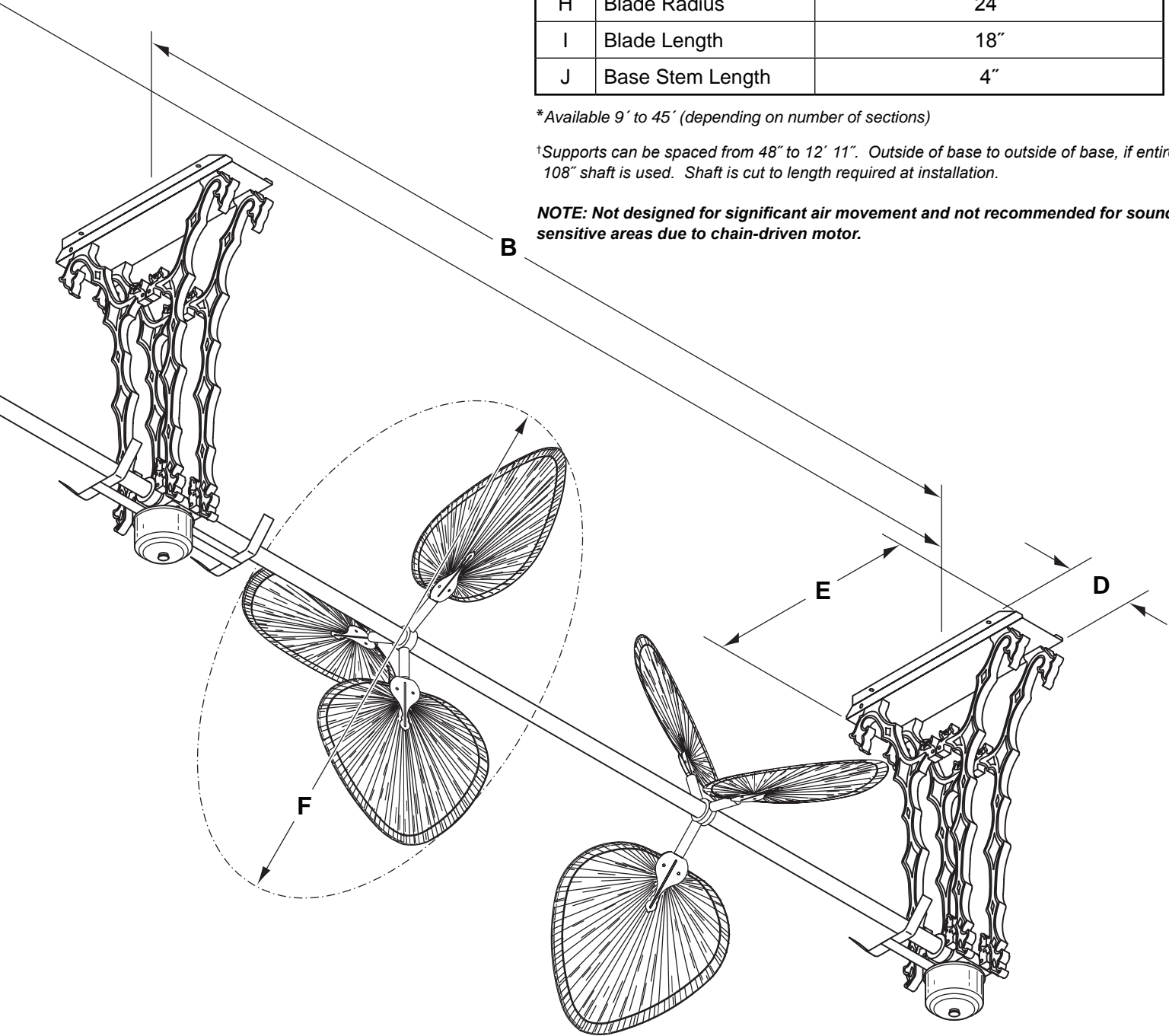
Available Finish	
AB	Antique brass
BL	Black

Dimensional Information		
A	Overall Length*	10' – 50'
B	Support Spacing†	9' 11" (center of base to center of base) 10' 5½" (outside of base to outside of base)
C	Ceiling to Shaft	27"
D	Base Width	6"
E	Base Length	18"
F	Blade Sweep	48"
G	Overall Drop	51"
H	Blade Radius	24"
I	Blade Length	18"
J	Base Stem Length	4"

*Available 9' to 45' (depending on number of sections)

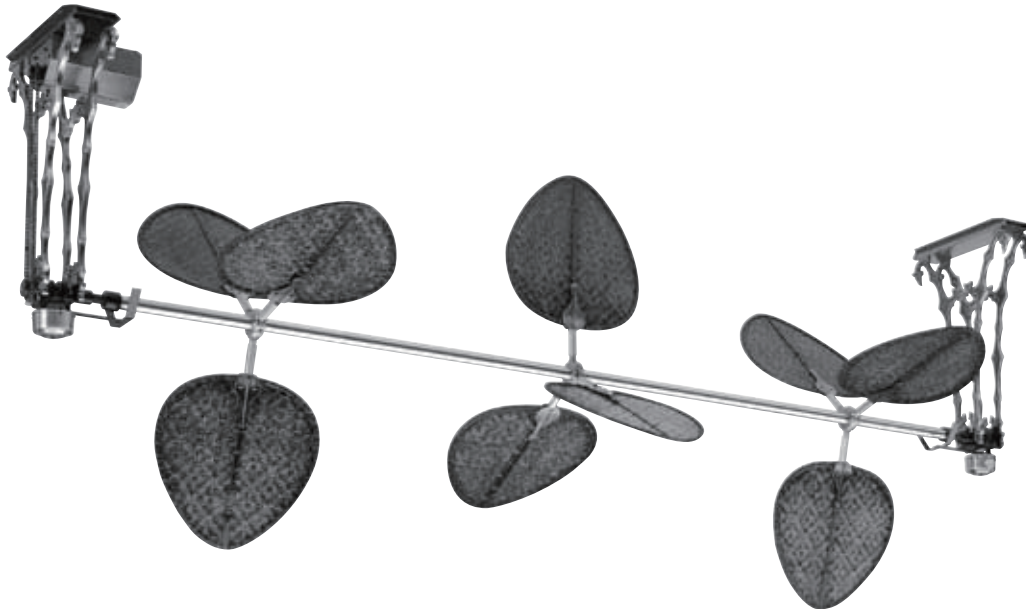
†Supports can be spaced from 48" to 12' 11". Outside of base to outside of base, if entire 108" shaft is used. Shaft is cut to length required at installation.

NOTE: Not designed for significant air movement and not recommended for sound-sensitive areas due to chain-driven motor.



PALMETTO®

FP600-220 Series Ceiling Fan Assembly



INSTALLATION REQUIREMENTS:

Each drive shaft support must have 3/4" plywood backing (20" x 20") attached to the ceiling joists, snug above the sheet rock and able to support 100 lbs.

ELECTRICAL REQUIREMENTS:

Drive shaft support containing motor unit requires a 220-240 VAC, 50 Hz, 5 amp circuit, 5 amp electrical feed via a flush mount junction box positioned on center and wired to an on/off switch (motor unit is single speed). Any support containing a light fixture will also require a junction box on center, with a circuit wired to a dimmer circuit or on/off switch. Motor unit and lights should be on separate switch legs.

FAN SPEED:

Single-speed, 15 rpm; NOT designed for significant air movement.

BLADES:

18" wide oval palm (PMP2**) and 18" wide oval bamboo (PMD2A**) blade assemblies are available—sold separately. See our catalog or visit www.fanimation.com to view these blade options.

LIGHTING OPTIONS:

Optional lighting fitters and light kits are available. Lighting can only be mounted on the cap housing. Installation instructions are provided with each fitter and light kit. See our catalog or visit www.fanimation.com for available lighting options.

LOCATION USE:

Fan is rated for dry locations only.